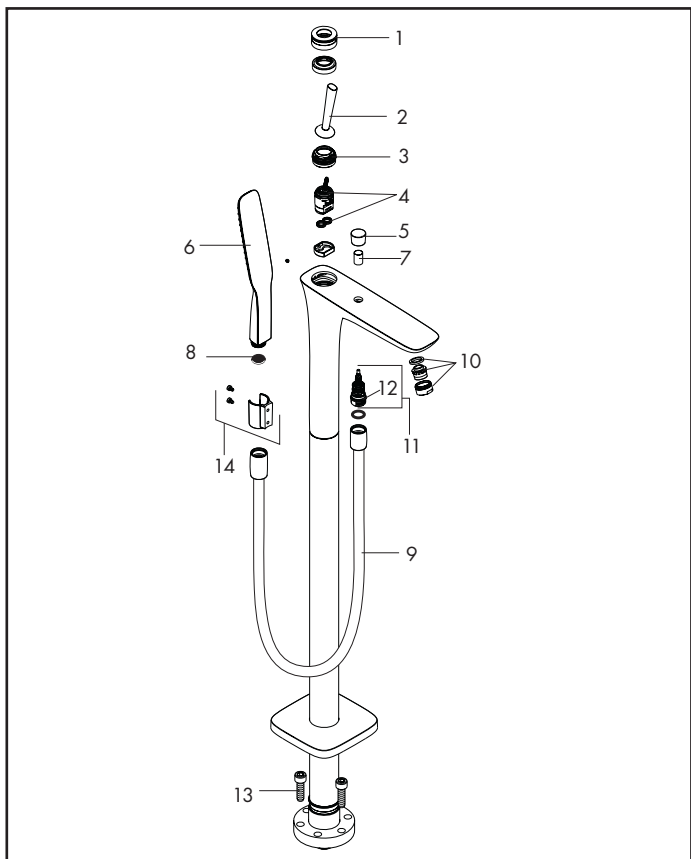


>10/09

>07/06

15473xx1

10452181

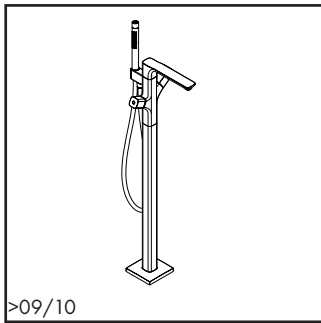


| Pos. | Description | Description | Denominación | No./Nr./N° | PG |
|------|---|--|--|----------------------|-------|
| 1 | flange | rosace | florón | 95288000 | 1 12 |
| 2 | handle | poignée | manija | 95287000 | 1 6 |
| 3 | nut | écrou | tuerca | 95157000 | 1 99 |
| 4 | cartridge | mécanisme arrêt | montura | 96339000 | 1 12 |
| 5 | diverter knob | tirette | tirador | 95284000 | 1 99 |
| 6 | handshower | douchette | teleducha | 28558xx1 | 1 98 |
| 7 | sleeve | douille | casquillo | 97979000 | 1 5* |
| 8 | screen washer | filtre | filtro | 94246000 | 1 1 |
| 9 | hose 49" | flexible 49" | flexo 49" | 28282000 | 1 99 |
| 10 | aerator | aérateur | aireador | 96512000 | 1 99 |
| 11 | diverter | inverseur | inversor | 97978000 | 1 11 |
| 12 | check valve | clapet anti-retour | válvula antirretorno | 97980000 | 1 99 |
| 13 | screw (3) | vis (3) | tornillo (3) | 97670000 | set 3 |
| 14 | handshower holder rough, see p. 6.10 | support douchette set de base, voir p. 6.10 | soporto para teleducha cuerpo base, ver p. 6.10 | 96295000 10452181 | 1 9 |

6.2 9/2010 xx = Please see page 6.1 for finish codes / *PG is for Chrome only. See the index for other finishes.
 xx = Description des codes couleur page 6.1 / *PG concerne Chromé seulement. Pour les autres, voir dans la liste des références.
 xx = Para el código de acabados ver página 6.1 / *La PG vale para Cromado solo. Ver el índice para las otras superficies.

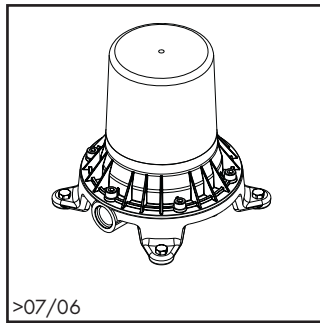
Axor® Urquiola

Tub filler / Robinet bain-douche / Mezclador para baño



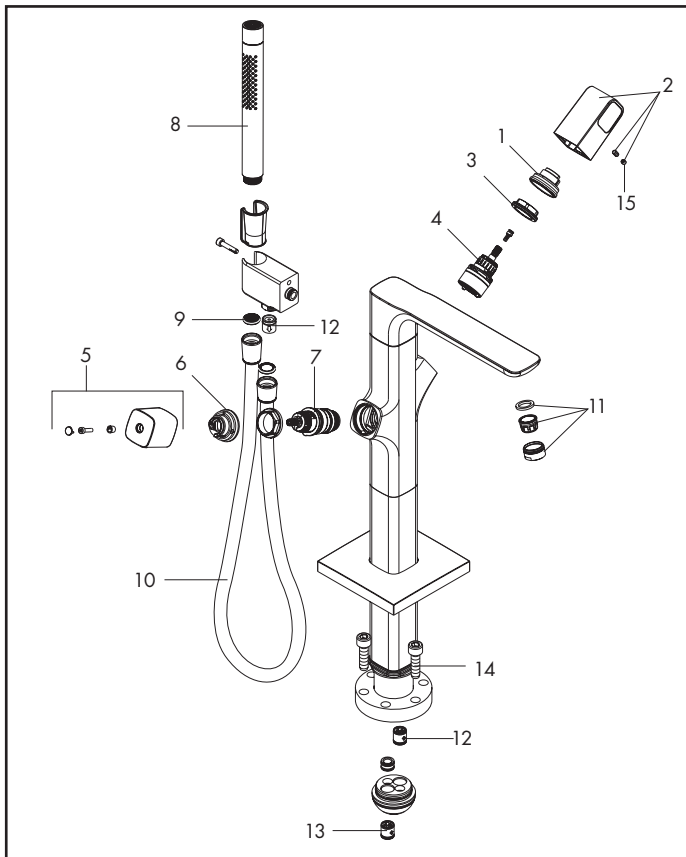
>09/10

11422xx1



>07/06

10452181



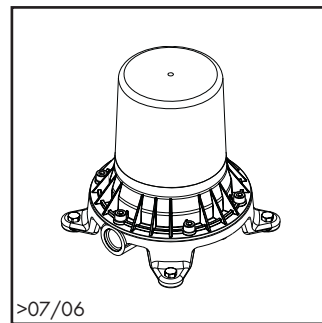
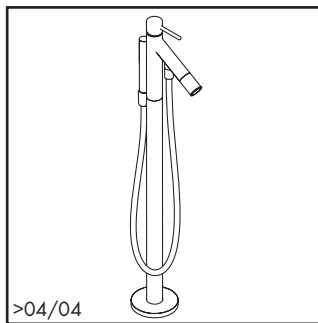
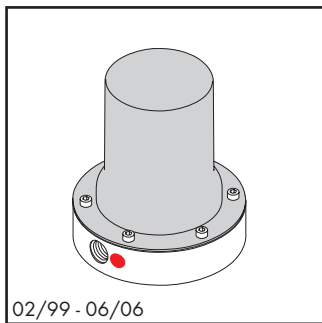
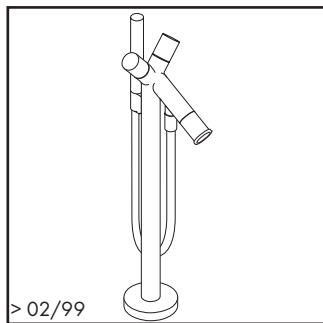
| Pos. | Description | Description | Denominación | No./Nr./N° | PG |
|------|---------------------------|---------------------------|--------------------------|------------|-------|
| 1 | flange | rosace | florón | 98916xx0 | 1 99 |
| 2 | handle | poignée | manija | 11491xx0 | 1 18 |
| 3 | nut | écrou | tuerca | 98913000 | 1 6 |
| 4 | cartridge | mécanisme arrêt | montura | 98283000 | 1 12 |
| 5 | thermostatic mixer handle | poignée thermostatique | manija termostatico | 11492xx1 | 1 99 |
| 6 | safety set | bague de butée | anillo tope | 98916xx0 | 1 99 |
| 7 | thermostatic cartridge | cartouche thermostatique | cartucho termostatico | 98282000 | 1 99 |
| 8 | handshower | douchette | teleducha | 28532xx1 | 1 98 |
| 9 | screen washer | filtre | filtro | 94246000 | 1 1 |
| 10 | hose 49" | flexible 49" | flexo 49" | 28282000 | 1 99 |
| 11 | aerator | aérateur | aireador | 96512000 | 1 99 |
| 12 | check valve | clapet anti-retour | válvula antirretorno | 97350000 | 1 6 |
| 13 | check valve | clapet anti-retour | válvula antirretorno | 97980000 | 1 99 |
| 14 | screw (3) | vis (3) | tornillo (3) | 97670000 | set 3 |
| 15 | screw cover | cache-vis | tapón | 95181000 | 1 99 |
| | rough, see p. 6.10 | set de base, voir p. 6.10 | cuerpo base, ver p. 6.10 | 10452181 | |

hansgrohe

xx = Please see page 6.1 for finish codes / *PG is for Chrome only. See the index for other finishes.

xx = Description des codes couleur page 6.1 / *PG concerne Chromé seulement. Pour les autres, voir dans la liste des références.

xx = Para el código de acabados ver página 6.1 / *La PG vale para Cromado solo. Ver el índice para las otras superficies.

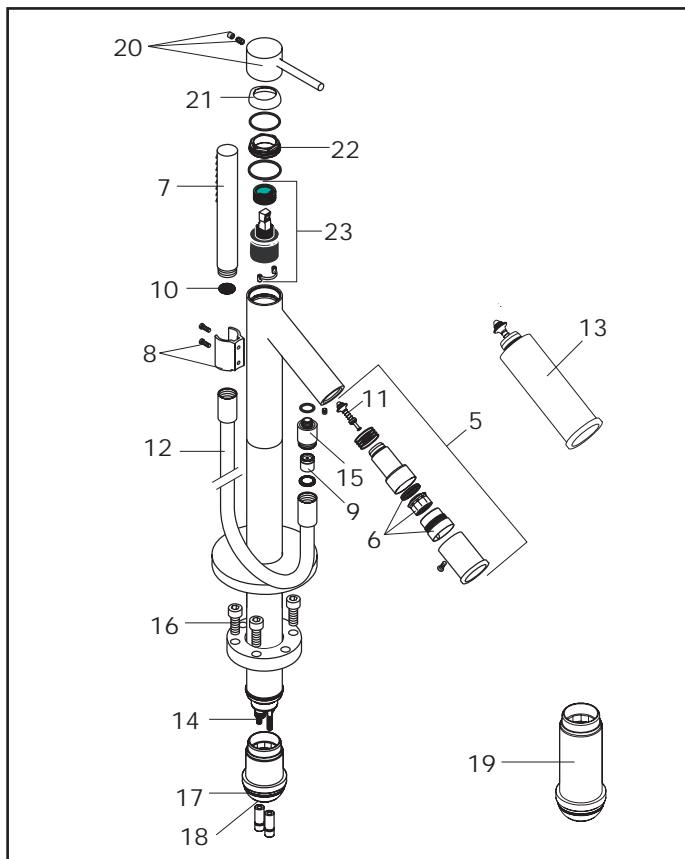
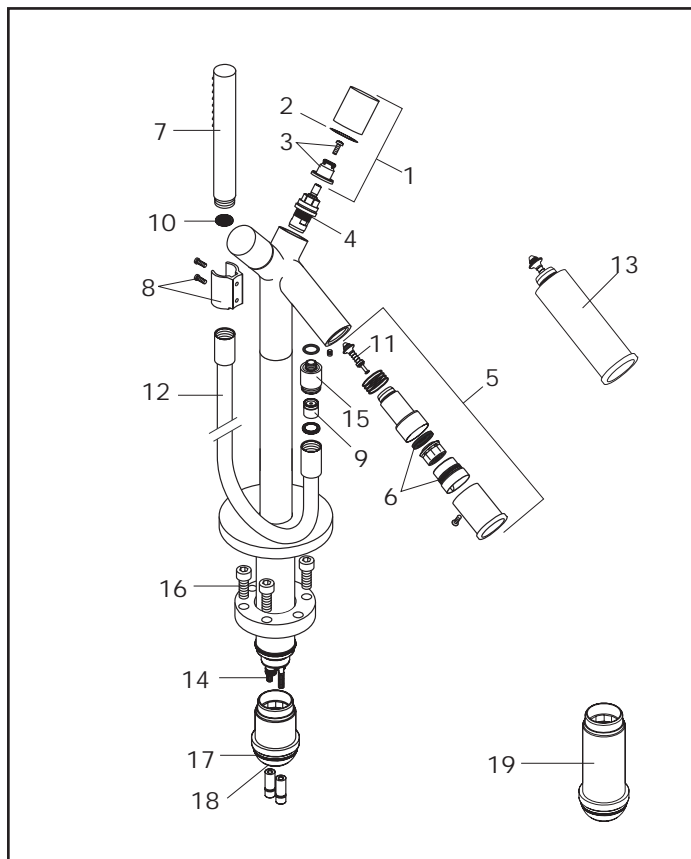


10458xx1

10452181

10456xx1

10452181

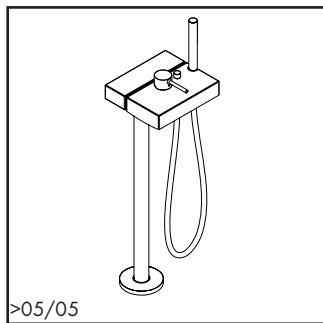


| Pos. | Description | Description | Denominación | No./Nr./N° | PG |
|------|---------------------------|---------------------------------|--------------------------------|------------|--------|
| 1 | handle | poignée | mando | 96298xx0 | 1 13* |
| 2 | hot/cold color ring | bague couleur eau chaude/froide | anillo frio/caliente | 96299000 | set 6 |
| 3 | handle adapter | entraîneur + vis | anclaje para mando | 94184000 | 1 2 |
| 4 | elastop cartridge | mécanisme arrêt Elastop | montura Elastop | 94149000 | 1 9 |
| 5 | diverter, complete | inverseur | inversor completo | 96294xx0 | 1 16* |
| 6 | aerator | aérateur | aireador completo | 96296xx0 | 1 9* |
| 7 | handshower | douchette | teleducha | 28531xx1 | 1 98 |
| 8 | handhandshower holder | support douchette | Soporro para teleducha | 96295000 | 1 9 |
| 9 | check valve (2 pieces) | clapet anti-retour (2 pièces) | válvula antirretorno (2 pieza) | 94074000 | set 3 |
| 10 | filter | filtre | filtro | 94246000 | 1 1 |
| 11 | diverter | inverseur | inversor | 96297000 | 1 9 |
| 12 | hose, 49" | flexible 49" | flexo 49" | 28282xx0 | 1 99 |
| 13 | 2 3/8" diverter extension | rallonge pour inverseur 2 3/8" | prolongación 2 3/8" | 10981xx0 | 1 20 |
| 14 | supply pipe (2 pieces) | tube d'alimentation (2 pièce) | tubo (2 pieza) | 97226000 | set 12 |
| 15 | hose connection | raccord | racor | 97527xx0 | 1 8 |
| 16 | screw, M10x35 | vis à tête cylindrique, M10x35 | tornillo de cabeza cilindrico | 97670000 | set 3 |
| 17 | o-ring 44x2.5 | joint torique 44x2.5 | junta toroidal 44x2.5 | 98162000 | 1 1 |
| 18 | o-ring 30x2.5 | joint torique 30x2.5 | junta toroidal 30x2.5 | 98151000 | 1 99 |
| 19 | extension | rallonge | prolongación | 97686000 | 1 98 |
| 20 | handle | poignée | mando | 10093xx0 | 1 11* |
| 21 | escutcheon | rosace | florón | 96763xx0 | 1 11* |
| 22 | nut | écrou | tuerca | 97209000 | 1 11 |
| 23 | cartridge | cartouche | cartucho | 92730000 | 1 12 |
| | rough, see p. 6.10 | set de base, voir p. 6.10 | cuerpo base, ver p. 6.10 | 10452181 | |

6.4 9/2010 xx = Please see page 6.1 for finish codes / *PG is for Chrome only. See the index for other finishes.
 xx = Description des codes couleur page 6.1 / *PG concerne Chromé seulement. Pour les autres, voir dans la liste des références.
 xx = Para el código de acabados ver página 6.1 / *La PG vale para Cromado solo. Ver el índice para las otras superficies.

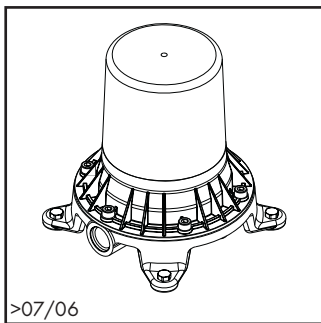
Axor® Starck X

Tub filler / Robinet bain-douche / Mezclador para baño



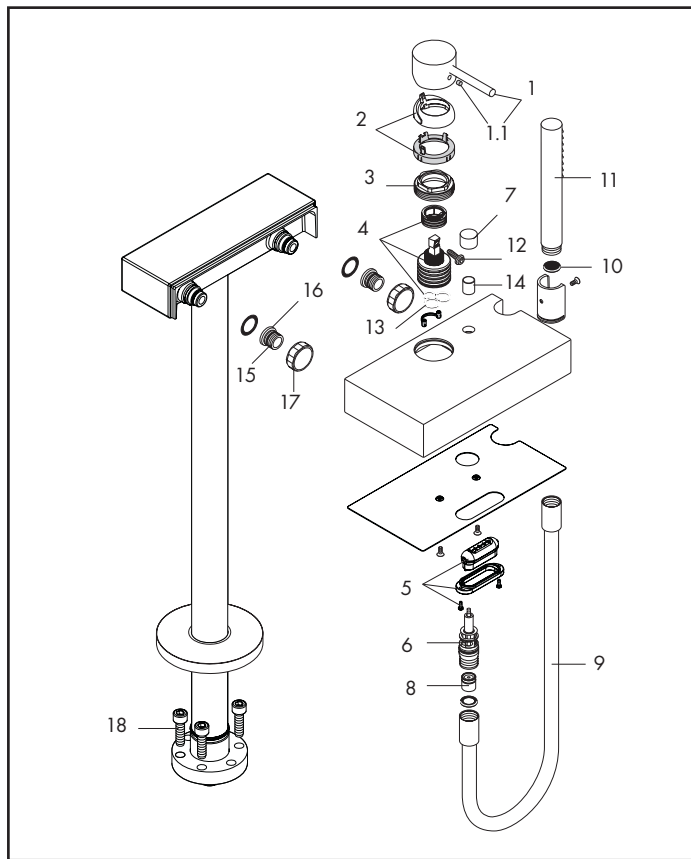
>05/05

10406001



>07/06

10452181



| Pos. | Description | Description | Denominación | No./Nr./N° | PG |
|------|------------------------|-------------------------------|--------------------------------|------------|-------|
| 1 | handle | poignée | mando | 10490000 | 1 14* |
| 1.1 | screw cover | cache vis | tapón | 96338000 | 1 1 |
| 2 | flange | capot sphérique | florón | 96395000 | 1 99 |
| 3 | nut | écrou | tuerca | 96461000 | 1 9 |
| 4 | cartridge | cartouche | cartucho | 92730000 | 1 12 |
| 5 | spout body | bec | caño | 97467000 | 1 99 |
| 6 | diverter | inverseur | inversor | 94077000 | 1 9 |
| 7 | diverter knob | bouton d'inverseur | tirador inversor | 96466000 | 1 5* |
| 8 | check valve (2 pieces) | clapet anti-retour (2 pièces) | válvula antirretorno (2 pieza) | 94074000 | set 3 |
| 9 | handshower hose | flexible douche | flexo | 28282000 | 1 11 |
| 10 | screen washer | filtre | filtro | 94246000 | 1 1 |
| 11 | handshower | douchette | teleducha | 28531001 | 1 98 |
| 12 | handle screw | vis | tornillo | 96059000 | 1 3 |
| 13 | seal | joint | junta | 95008000 | 1 3 |
| 14 | sleeve | douille | casquillo | 97738000 | 1 99 |
| 15 | connecting thread | mamelon | racor conexión flexo | 97220000 | 1 5 |
| 16 | o-ring, 15x2 | o-ring, 15x2 | o-ring, 15x2 | 98163000 | 1 1 |
| 17 | nut | écrou | tuerca | 96157000 | set 8 |
| 18 | hex screw M10x35 (3) | vis M10x35 (3) | tornillo M10x35 (3) | 97670000 | set 3 |
| | rough, see p. 6.10 | set de base, voir p. 6.10 | cuerpo base, ver p. 6.10 | 10452181 | |

hansgrohe

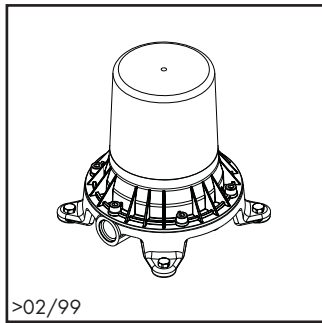
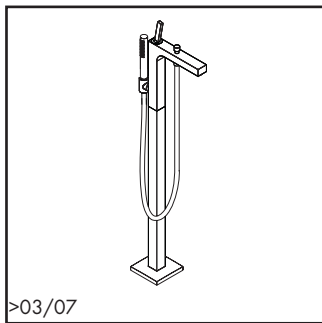
xx = Please see page 6.1 for finish codes / *PG is for Chrome only. See the index for other finishes.

xx = Description des codes couleur page 6.1 / *PG concerne Chromé seulement. Pour les autres, voir dans la liste des références.

xx = Para el código de acabados ver página 6.1 / *La PG vale para Cromado solo. Ver el índice para las otras superficies.

Axor® Citterio

Tub filler / Robinet bain-douche / Mezclador para baño

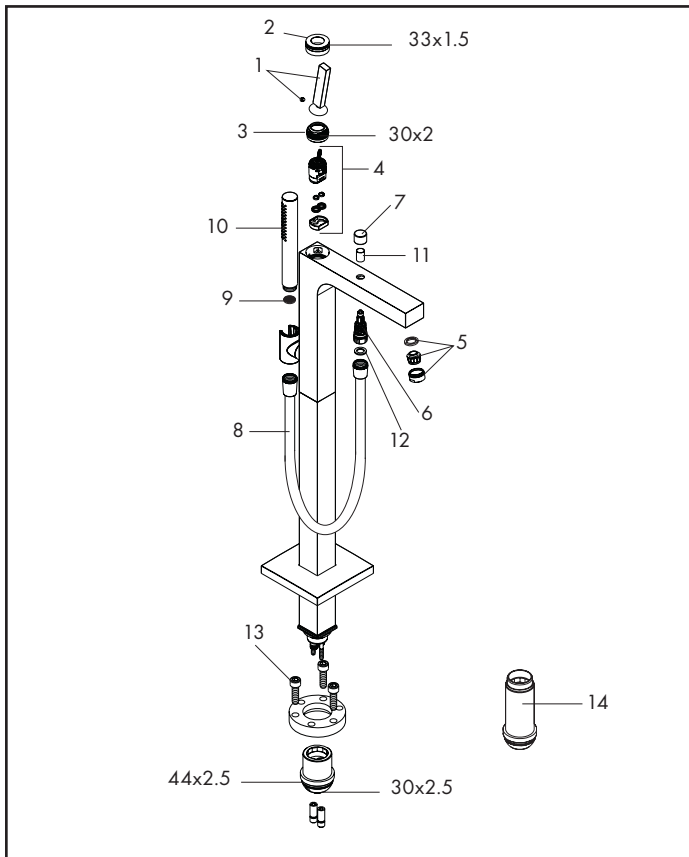


>03/07

>02/99

39451xx1

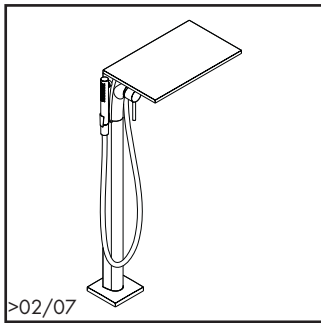
10452181



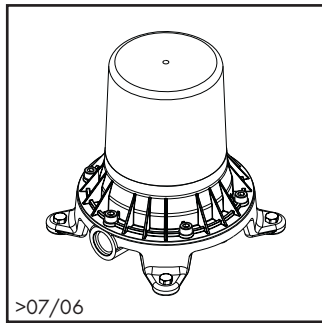
| Pos. | Description | Description | Denominación | No./Nr./N° | PG |
|------|--------------------|---------------------------|--------------------------|------------|-------|
| 1 | handle | poignée | mando | 39091xx0 | 1 16* |
| 2 | flange | rosace | florón | 97466xx0 | 1 10* |
| 3 | nut | écrou à six pans | tuerca | 97157000 | 1 6 |
| 4 | cartridge | cartouche | cartucho | 96339000 | 1 12 |
| 5 | aerator | aérateur | aireador | 13956xx0 | 1 3* |
| 6 | diverter | inverseur | inversor | 97978000 | 1 11 |
| 7 | diverter knob | bouton d'inverseur | tirador inversor | 96466xx0 | 1 9* |
| 8 | handshower hose | flexible | flexo | 28282xx0 | 1 99 |
| 9 | screen washer | filtre | filtro | 94246000 | 1 1 |
| 10 | handshower | douchette | teleducha | 28531xx1 | 1 98 |
| 11 | sleeve | douille | casquillo | 97979xx0 | 1 99 |
| 12 | hose washer | joint | junta | 98058000 | set 1 |
| 13 | screw (3 pieces) | vis (3 pièces) | tornillo (3 pieza) | 97670000 | set 3 |
| 14 | extension | rallonge | prolongación | 97686000 | 1 98 |
| | rough, see p. 6.10 | set de base, voir p. 6.10 | cuerpo base, ver p. 6.10 | 10452181 | |

Axor® Massaud

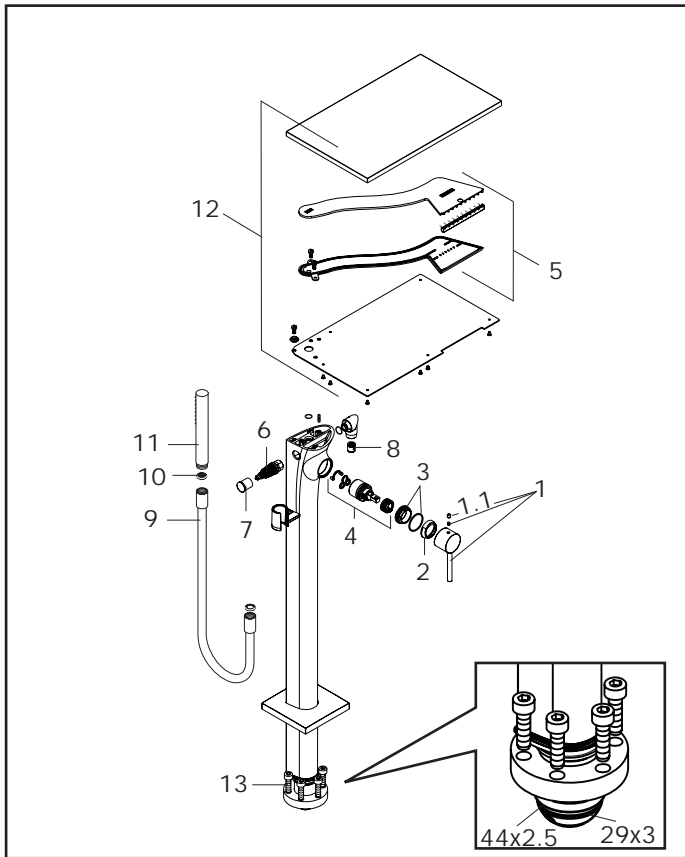
Tub filler / Robinet bain / Mezclador para baño



18450001



10452181



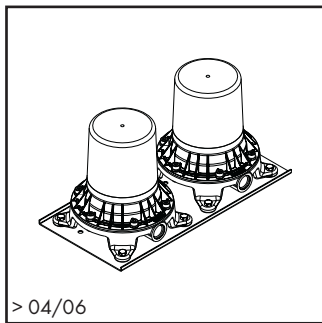
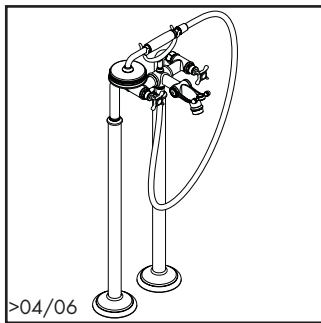
| Pos. | Description | Description | Denominación | No./Nr./N° | PG |
|------|------------------------|-------------------------------|--------------------------------|------------|-------|
| 1 | handle | poignée | mando | 18493000 | 1 99 |
| 1.1 | screw cover | cache vis | tapón | 96762000 | 1 1 |
| 2 | flange | rosace | florón | 96763000 | 1 11* |
| 3 | nut | écrou à six pans | tuerca | 97209000 | 1 11 |
| 4 | cartridge | cartouche | cartucho | 92730000 | 1 12 |
| 5 | spray former | diffuseur | moldeador de chorro | 97447000 | 1 12 |
| 6 | diverter | inverseur | inversor | 94077000 | 1 9 |
| 7 | diverter knob | bouton d'inverseur | tirador inversor | 98705000 | 1 99 |
| 8 | check valve (2 pieces) | clapet anti-retour (2 pièces) | válvula antirretorno (2 pieza) | 94074000 | set 3 |
| 9 | handshower hose | flexible douche | flexo para teleducha | 28282000 | 1 11 |
| 10 | screen washer | filtre | filtro | 94246000 | 1 1 |
| 11 | handshower | douchette | teleducha | 28532xx1 | 1 98 |
| 12 | spout | bec | caño | 98704000 | 1 99 |
| 13 | screw (3 pieces) | vis (3 pièces) | tornillo (3 pieza) | 97670000 | set 3 |
| | rough, see p. 6.10 | set de base, voir p. 6.10 | cuerpo base, ver p. 6.10 | 10452181 | |
| | | | | | |
| | | | | | |
| | | | | | |
| | | | | | |
| | | | | | |
| | | | | | |
| | | | | | |
| | | | | | |
| | | | | | |
| | | | | | |
| | | | | | |



xx = Please see page 6.1 for finish codes / *PG is for Chrome only. See the index for other finishes.
 xx = Description des codes couleur page 6.1 / *PG concerne Chromé seulement. Pour les autres, voir dans la liste des références.
 xx = Para el código de acabados ver página 6.1 / *La PG vale para Cromado solo. Ver el indice para las otras superficies.

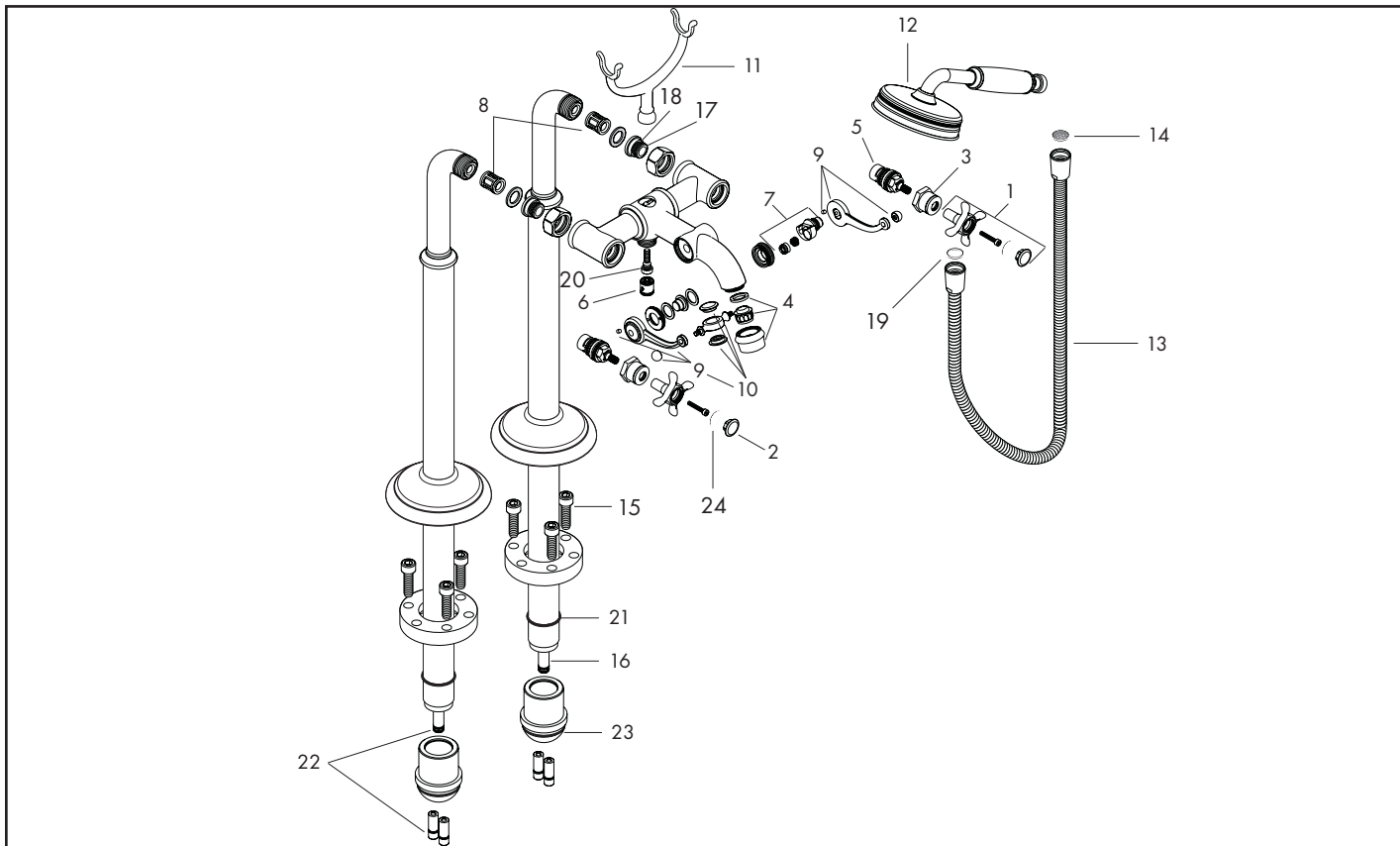
Axor® Montreux

Tub filler / Robinet bain-douche / Mezclador para baño



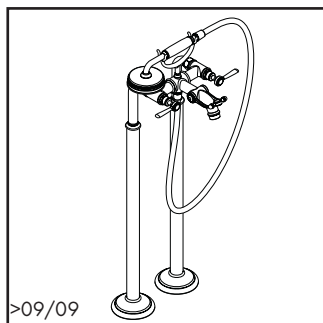
16547xx0

16549180

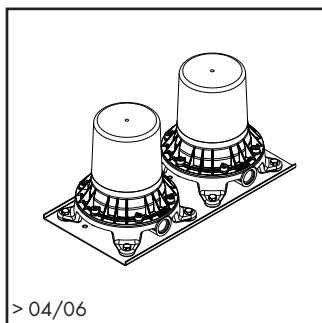


| Pos. | Description | Description | Denominación | No./Nr./N° | PG |
|------|------------------------------|-------------------------------------|--------------------------------|------------|--------|
| 1 | cross handle | poignée croisillon | mando en cruz | 16597xx0 | 1 15* |
| 2 | screw cover cold / hot water | cache vis couleur eau chaude/froide | tapón frío /caliente | 97987000 | set 12 |
| 3 | sleeve | douille | casquillo | 97993xx0 | 1 10* |
| 4 | aerator M24x1 | aérateur M24x1 | aireador M24x1 | 98575xx0 | 1 99 |
| 5 | cold cartridge | mécanisme d'arrêt | montura | 94009000 | 1 10 |
| 6 | check valve (2 pieces) | clapet anti-retour (2 pièces) | válvula antirretorno (2 pieza) | 94074000 | set 3 |
| 7 | diverter | inverseur | inversor | 98591000 | 1 11 |
| 8 | noise reduction (2 pieces) | membrane anti bruit (2 pièces) | silenciador (2 pieza) | 96429000 | set 11 |
| 9 | sliding gear lever | levier de baladeur | palanquita de corredera | 98594xx0 | 1 99 |
| 10 | cover cap | cache | tapa | 98593000 | 1 99 |
| 11 | shower base | support téléphone | soporte teleducha | 98590xx0 | 1 99 |
| 12 | handshower | douchette | teleducha | 16320xx1 | 1 98 |
| 13 | shower hose 49" | flexible 49" | flexo 49" | 28112xx0 | 1 98 |
| 14 | screen washer | filtre | filtro | 94246000 | 1 1 |
| 15 | screw (3 pieces) | vis (3 pièces) | tornillo (3 pieza) | 97670000 | set 3 |
| 16 | supply pipe (2 pieces) | tube d'alimentation (2 pièce) | tubo (2 pieza) | 97226000 | set 12 |
| 17 | connecting thread | raccord | racor | 97220000 | 1 5 |
| 18 | O-ring 15x2 | joint torique 15x2 | junta toroidal 15x2 | 98163000 | 1 1 |
| 19 | seal (5 pieces) | joint (5 pièce) | junta (5 pieza) | 98058000 | set 1 |
| 20 | O-ring 5x2 | joint torique 5x2 | junta toroidal 5x2 | 98215000 | 1 99 |
| 21 | O-ring 35x2 | joint torique 35x2 | junta toroidal 35x2 | 92604000 | 1 2 |
| 22 | O-ring 10x1,5 | joint torique 10x1,5 | junta toroidal 10x1,5 | 98123000 | 1 1 |
| 23 | O-ring 44x2,5 | joint torique 44x2,5 | junta toroidal 44x2,5 | 98162000 | 1 1 |
| 24 | O-ring 16x2 | joint torique 16x2 | junta toroidal 16x2 | 98133000 | 1 1 |
| | rough, see p. 6.10 | set de base, voir p. 6.10 | cuerpo base, ver p. 6.10 | 16549181 | |

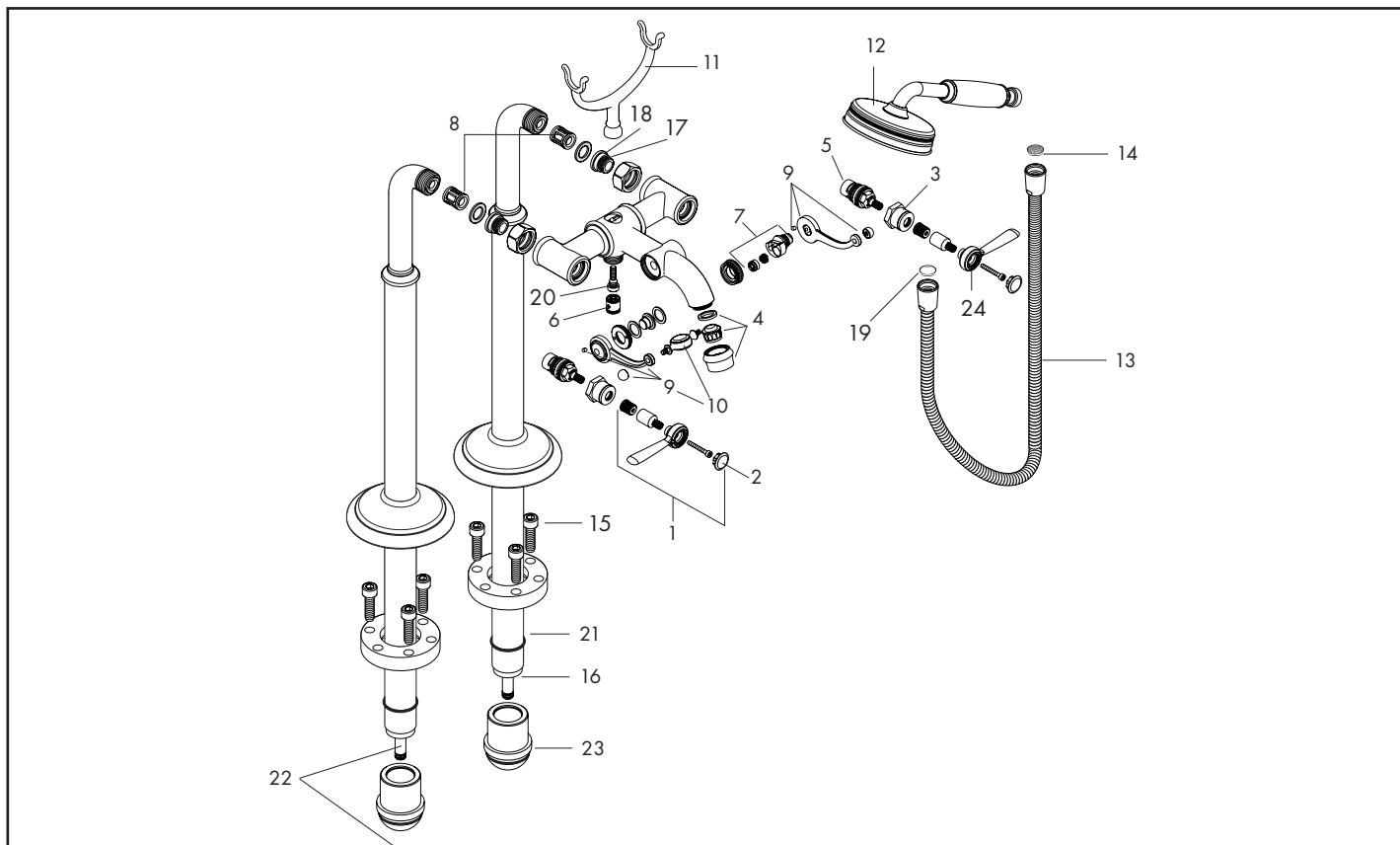
6.8 9/2010 xx = Please see page 6.1 for finish codes / *PG is for Chrome only. See the index for other finishes.
 xx = Description des codes couleur page 6.1 / *PG concerne Chromé seulement. Pour les autres, voir dans la liste des références.
 xx = Para el código de acabados ver página 6.1 / *La PG vale para Cromado solo. Ver el índice para las otras superficies.



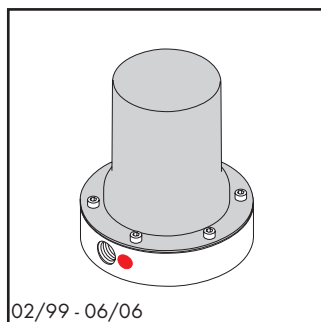
16553xx0



16549180

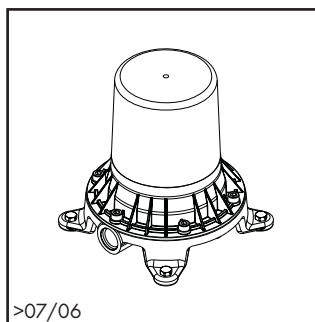


| Pos. | Description | Description | Denominación | No./Nr./N° | PG |
|------|------------------------------|-------------------------------------|--------------------------------|------------|--------|
| 1 | lever handle | poignée levier | mando typo palanca | 16597xx0 | 1 15* |
| 2 | screw cover cold / hot water | cache vis couleur eau chaude/froide | tapón frío / caliente | 97987000 | set 12 |
| 3 | sleeve | douille | casquillo | 97993xx0 | 1 10* |
| 4 | aerator M24x1 | aérateur M24x1 | aireador M24x1 | 98575xx0 | 1 99 |
| 5 | cold cartridge | mécanisme eau froide | montura agua fría | 94009000 | 1 10 |
| 6 | check valve (2 pieces) | clapet anti-retour (2 pièces) | válvula antirretorno (2 pieza) | 94074000 | set 3 |
| 7 | diverter | inverseur | inversor | 98591000 | 1 11 |
| 8 | noise reduction (2 pieces) | membrane anti bruit (2 pièces) | silenciador (2 pieza) | 96429000 | set 11 |
| 9 | sliding gear lever | levier de baladeur | palanquita de corredera | 98594xx0 | 1 99 |
| 10 | cover cap | cache | tapa | 98593000 | 1 99 |
| 11 | shower base | support téléphone | soporte teleducha | 98590xx0 | 1 99 |
| 12 | handshower | douchette | teleducha | 16320xx1 | 1 98 |
| 13 | shower hose 49" | flexible 49" | flexo 49" | 28112xx0 | 1 98 |
| 14 | screen washer | filtre | filtro | 94246000 | 1 1 |
| 15 | screw (3 pieces) | vis (3 pièces) | tornillo (3 pieza) | 97670000 | set 3 |
| 16 | supply pipe (2 pieces) | tube d'alimentation (2 pièce) | tubo (2 pieza) | 97226000 | set 12 |
| 17 | connecting thread | raccord | racor | 97220000 | 1 5 |
| 18 | o-ring 15x2 | joint torique 15x2 | junta toroidal 15x2 | 98163000 | 1 1 |
| 19 | seal (5 pieces) | joint (5 pièce) | junta (5 pieza) | 98058000 | set 1 |
| 20 | o-ring 5x2 | joint torique 5x2 | junta toroidal 5x2 | 98215000 | 1 99 |
| 21 | o-ring 35x2 | joint torique 35x2 | junta toroidal 35x2 | 92604000 | 1 2 |
| 22 | o-ring 10x1,5 | joint torique 10x1,5 | junta toroidal 10x1,5 | 98123000 | 1 1 |
| 23 | o-ring 44x2,5 | joint torique 44x2,5 | junta toroidal 44x2,5 | 98162000 | 1 1 |
| 24 | o-ring 16x2 | joint torique 16x2 | junta toroidal 16x2 | 98133000 | 1 1 |
| 25 | hot cartridge | mécanisme eau chaude | montura agua caliente | 94008000 | 1 10 |
| | rough, see p. 6.10 | set de base, voir p. 6.10 | cuerpo base, ver p. 6.10 | 16549181 | |



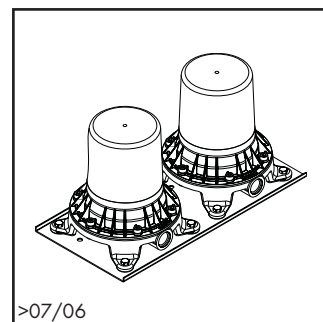
02/99 - 06/06

10452181



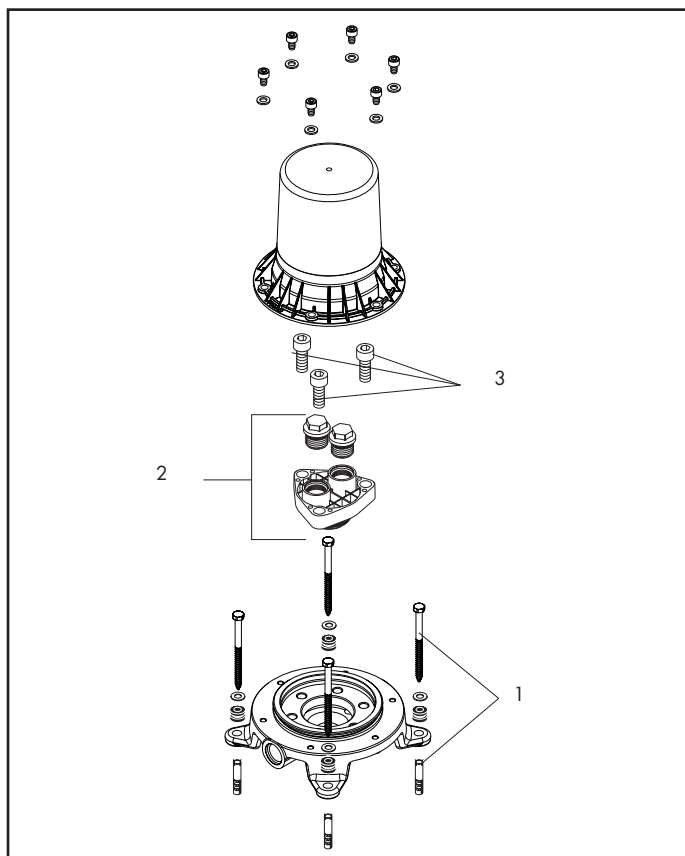
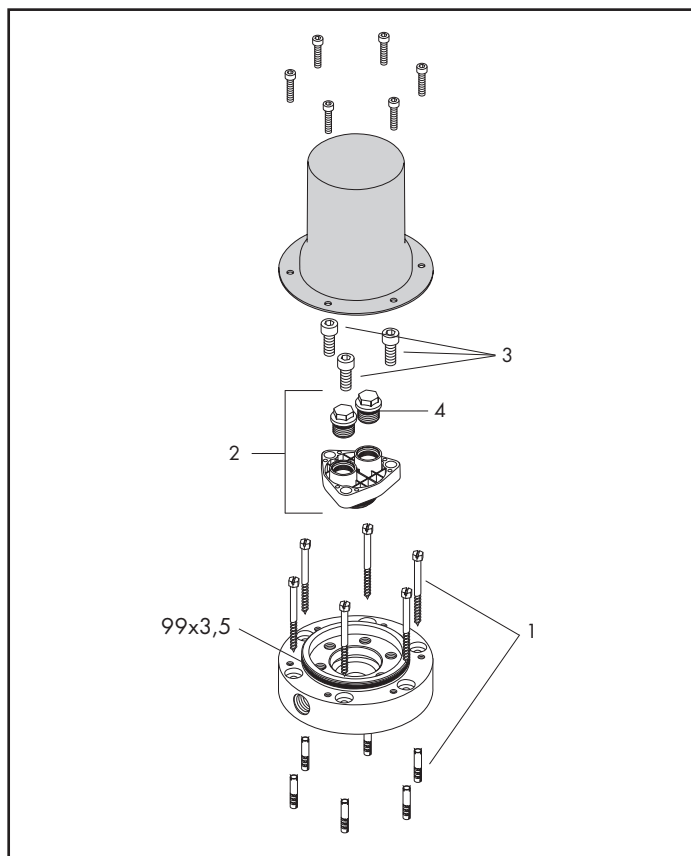
>07/06

10452181



>07/06

16549181



| Pos. | Description | Description | Denominación | No./Nr./N° | PG |
|------|------------------|--------------------|---------------------|------------|-------|
| 1 | mounting kit | set de fixation | set de fijación | 96260000 | 1 10 |
| 2 | flush unit | set de joint plat | junta | 96459000 | 1 12 |
| 3 | screw (3 pieces) | vis (3 pièces) | tornillo (3 pieza) | 97670000 | set 3 |
| 4 | O-ring 18x2 | joint torique 18x2 | junta toroidal 18x2 | 98181000 | 1 2 |
| | | | | | |
| | | | | | |
| | | | | | |
| | | | | | |
| | | | | | |
| | | | | | |
| | | | | | |
| | | | | | |
| | | | | | |